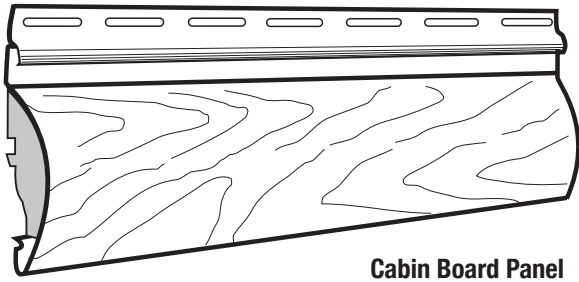


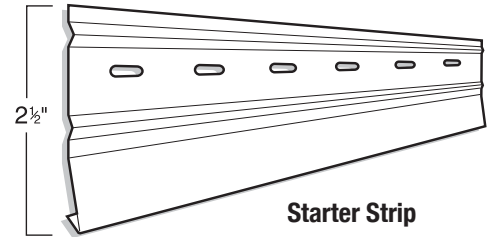
6.5 Cabin Board

Suppliment to Standard Vinyl Siding Installation Manual



Cabin Board Panel

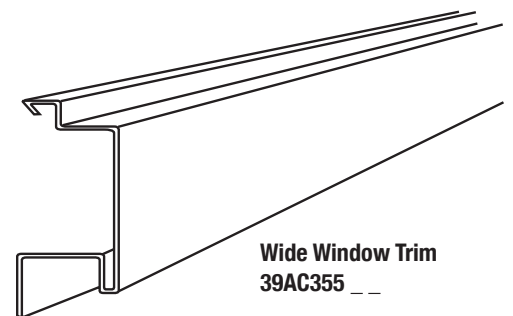
1) Follow instructions for conventional vinyl siding.
(See VSI Siding Installation instructions)



Starter Strip

2) Use recommended *Starter Strip #39001* or modify any existing Starter Strip, so it fits properly in bottom lock.

3) Use 1-1/8" J-Channel for the entire house on all vertical (including Inside Corners) and horizontal trimming (or wide window trim #39AC355_ _).



Wide Window Trim
39AC355_ _

- When horizontal panel cuts are in the middle of the panel: See *Diagram "C"*.

- Use 5/8" J-Channel (screw or nail inside 1-1/8" J-Channel) where desired to minimize gapping (when panels are cut at the top or bottom). See *Diagram "D"*.

- Face screwing or nailing is acceptable in lieu of Finish trim. See *Diagram "E"*.

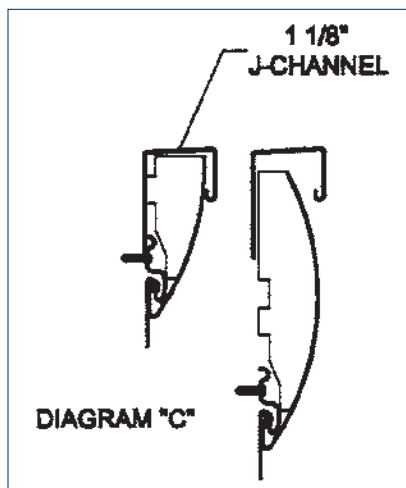


DIAGRAM "C"

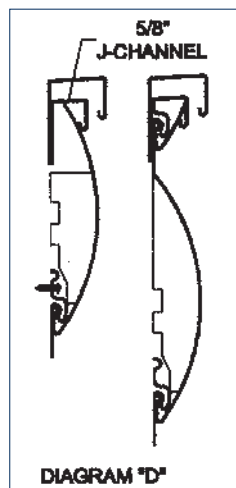


DIAGRAM "D"

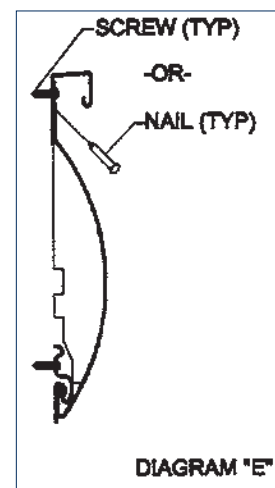


DIAGRAM "E"

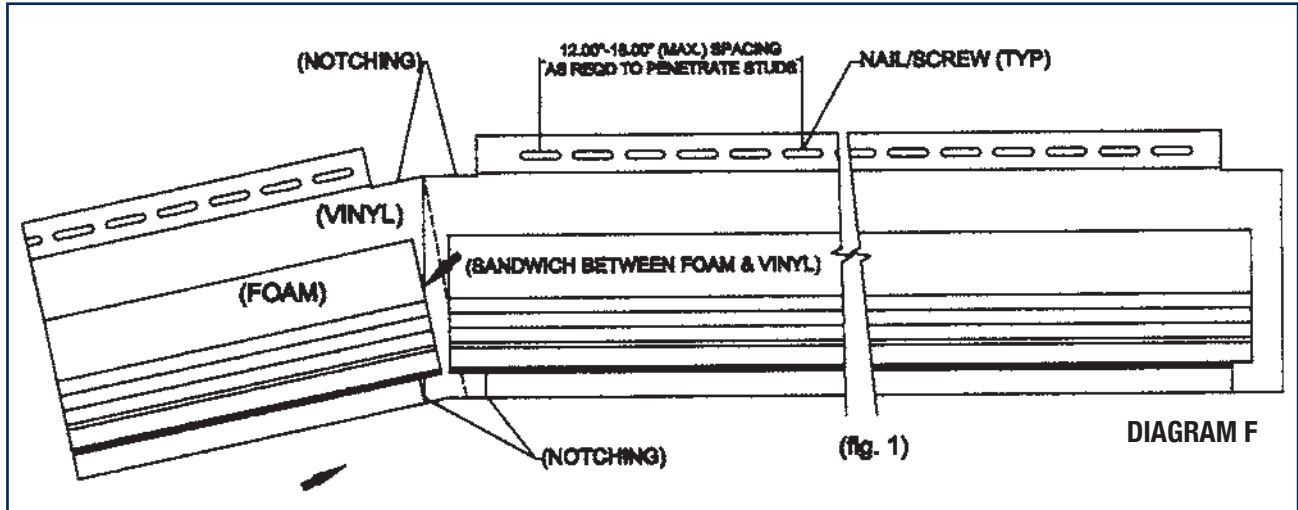


2450 Enterprise Street
Fremont, Ohio 43420
800.846.9599
www.rmcsiding.com

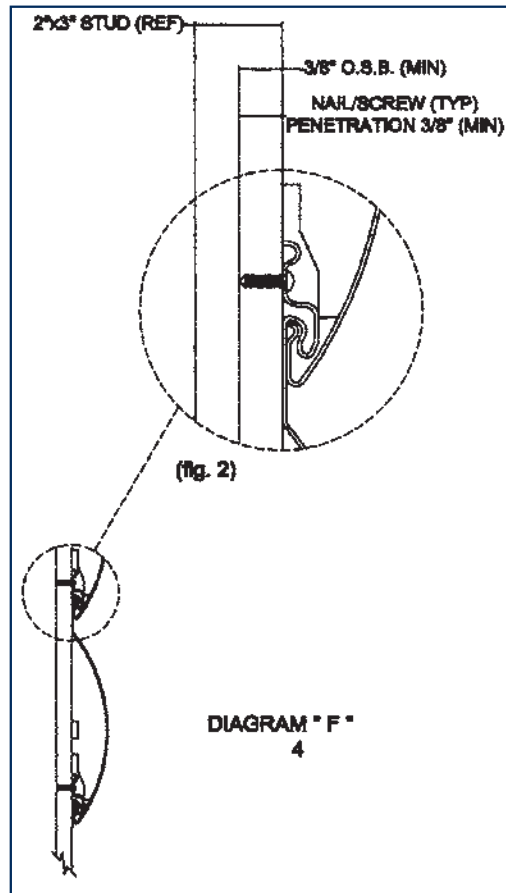
6.5 Cabin Board

Suppliment to Standard Vinyl Siding Installation Manual

4) Hang 6/5” Cabin Board Siding as you would a conventional vinyl siding, making sure not to screw or nail too tight. Cut out foam when necessary to assure fit.



Vinyl panels to be screwed or nailed on center at 12” – 18” (maximum) spacing, as required to penetrate stud and have a depth penetration of 3/8” (minimum). See Diagram “F” (fig. 1 and 2).

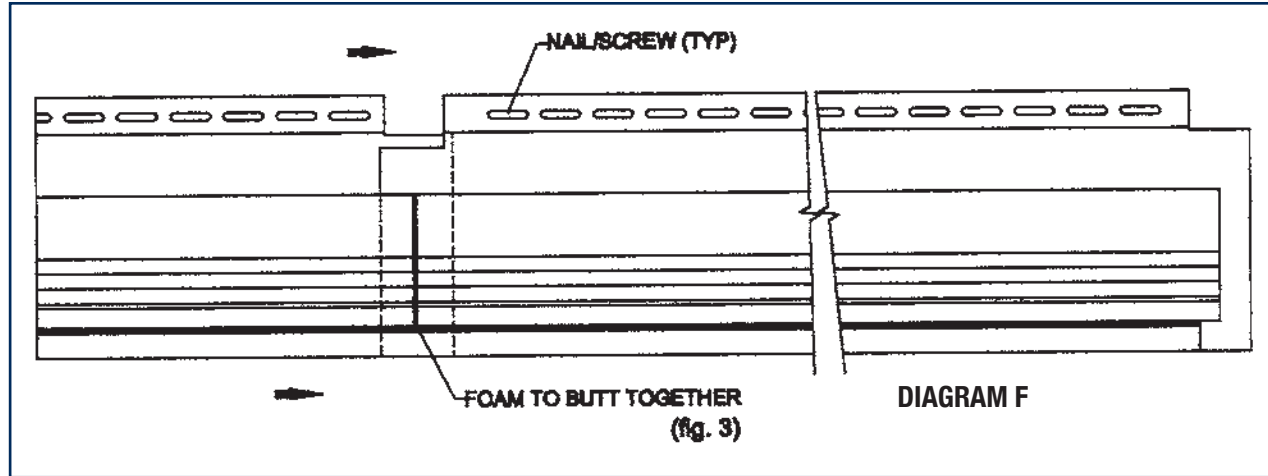


2450 Enterprise Street
Fremont, Ohio 43420
800.846.9599
www.rmcsiding.com

6.5 Cabin Board

Suppliment to Standard Vinyl Siding Installation Manual

The foam of each panel should be cut back 3” from the end of each panel prior to installation (allowing for air and heat ventilation). Nailed/screwed panel should sandwich between foam and vinyl of new panel; align nail hems and screw or nail. See Diagram “F” (fig. 3).



NOTE: All cartons containing whole cabin board panels are pre-cut in carton.



2450 Enterprise Street
Fremont, Ohio 43420
800.846.9599
www.rmcsiding.com